



## JP822-IV

### FEATURE HIGHLIGHTS

- ☞ Double sliding (bypass) design for easy access from either side
- ☞ Can be trimmed up to 4" for width adjustment
- ☞ Dual towel bar on each panel

### SPECIFICATIONS

#### Dimension(1524mm W x 1930mm H)

- ☞ Fits 56" to 60" finished opening
- ☞ Up to 4" (102mm) in width adjustment
- ☞ Custom made is available

#### Glass

- ☞ 5/16" (8mm) and 3/8"(10mm) thick tempered glass
- ☞ ANSI certified tempered glass

#### Hardware

- ☞ Aluminum sliding track and wall profile
- ☞ Zinc alloy durable wheel
- ☞ Slim aluminum bottom threshold designed to prevent water leakage
- ☞ #304 stainless steel towel bar style handle
- ☞ Hardware finished in Chrome, Brushed, Black



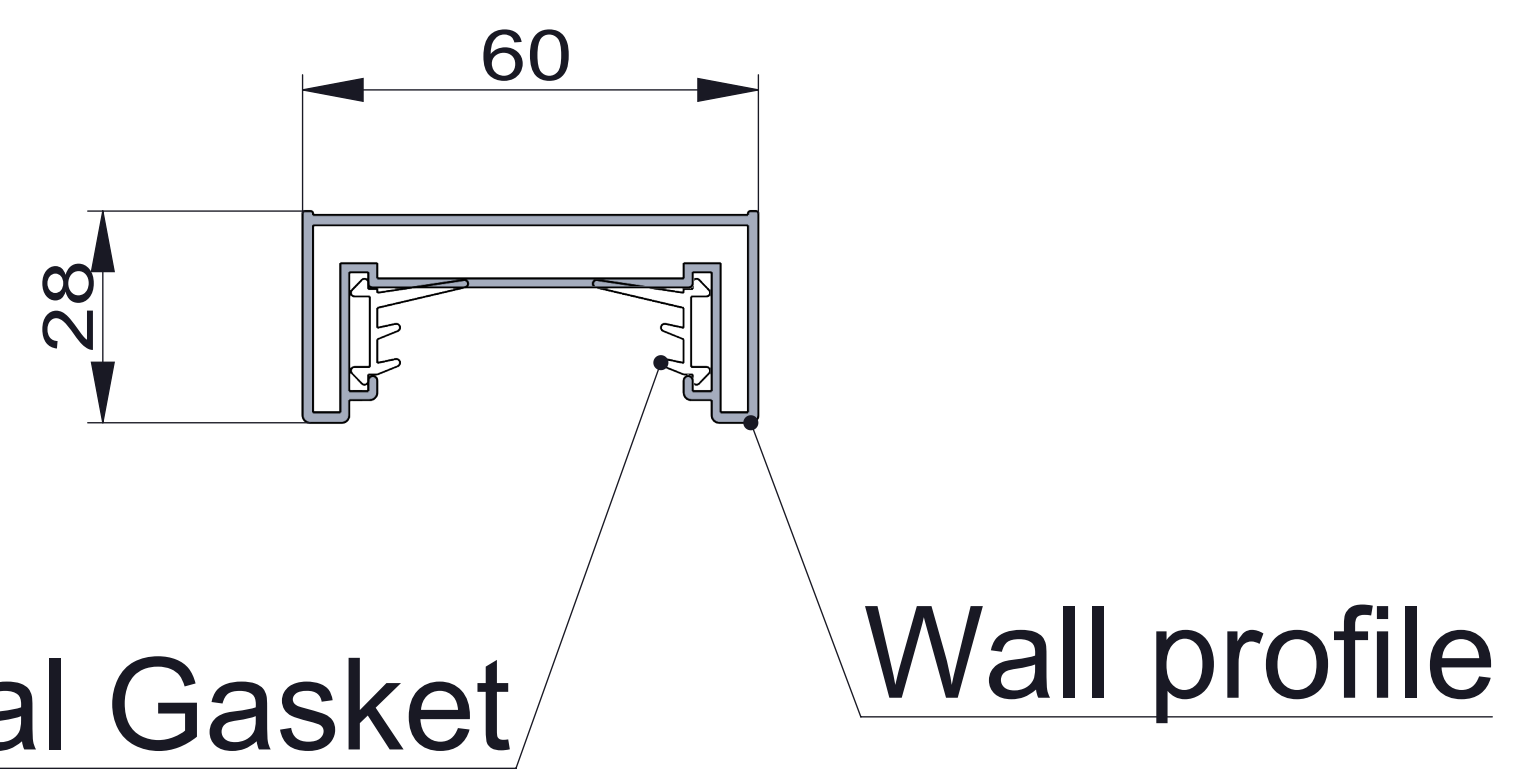
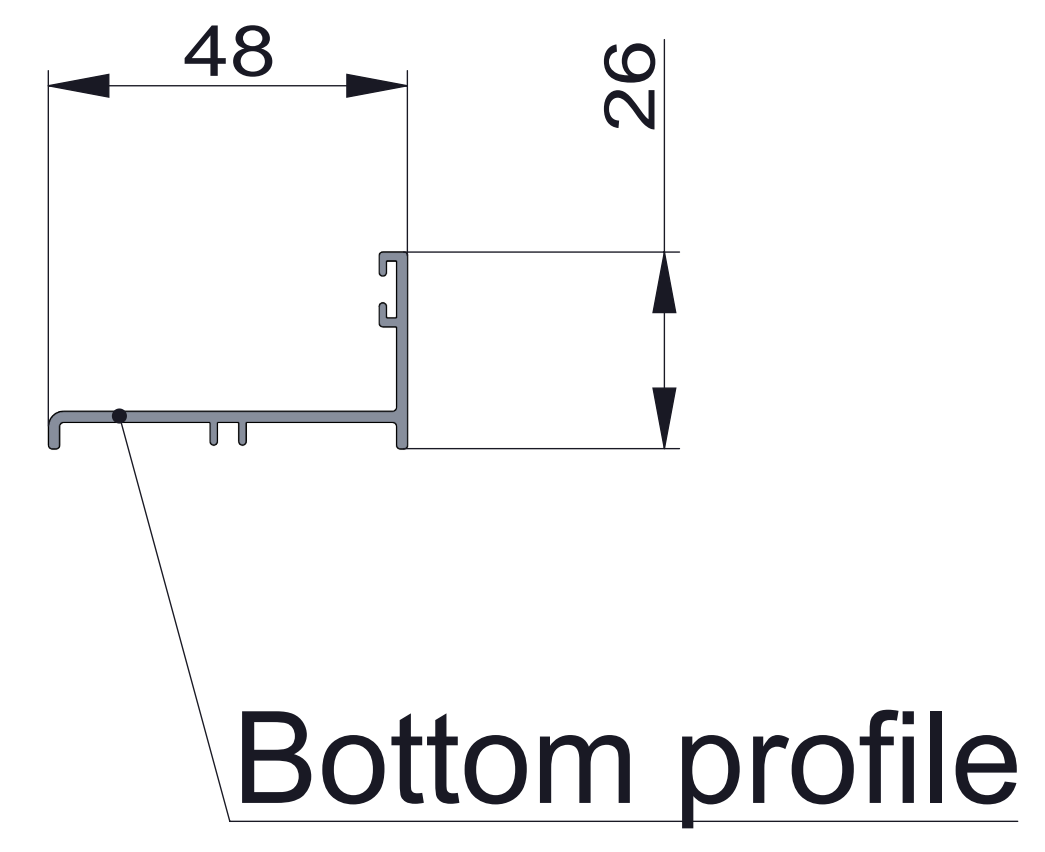
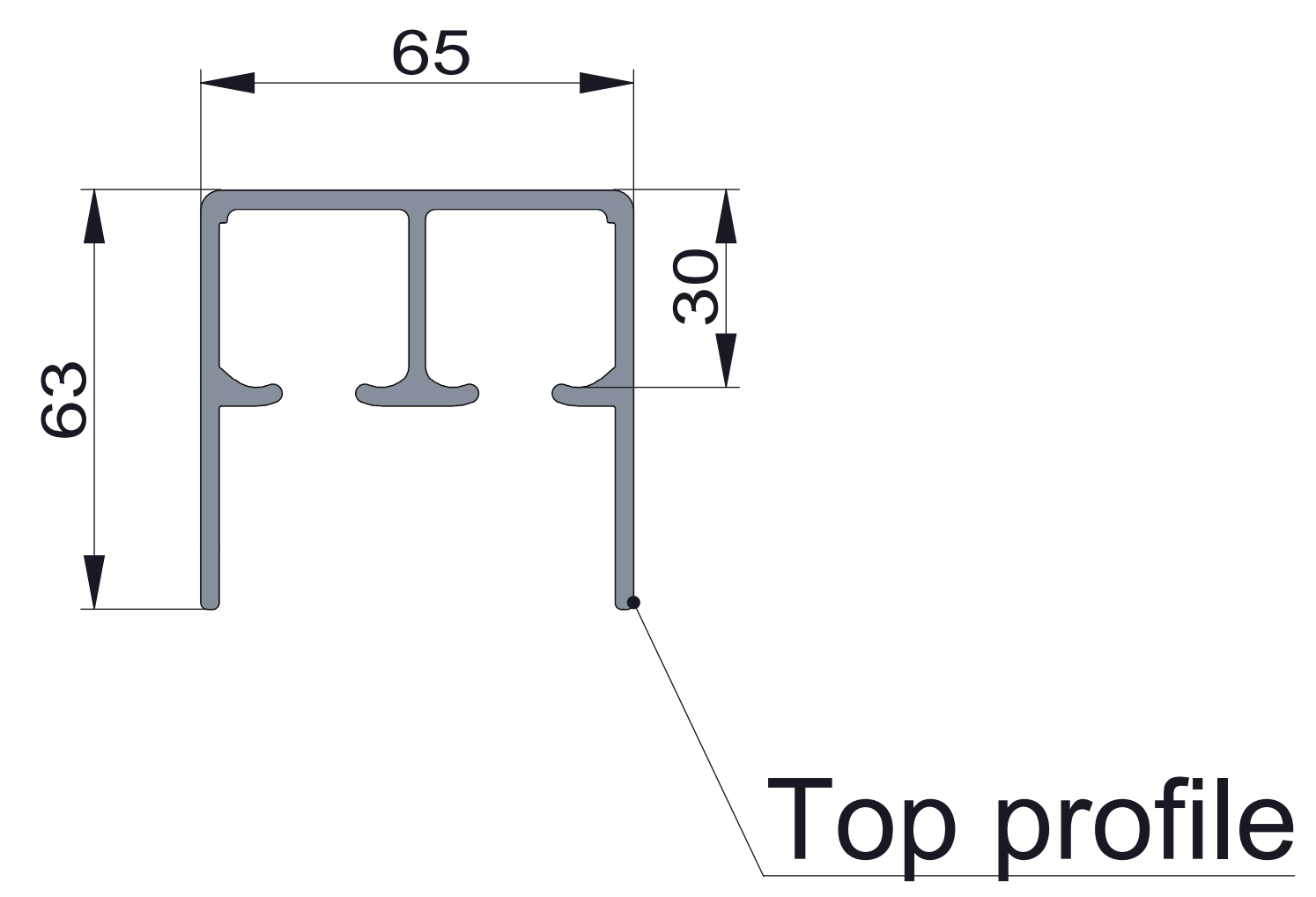
Chrome



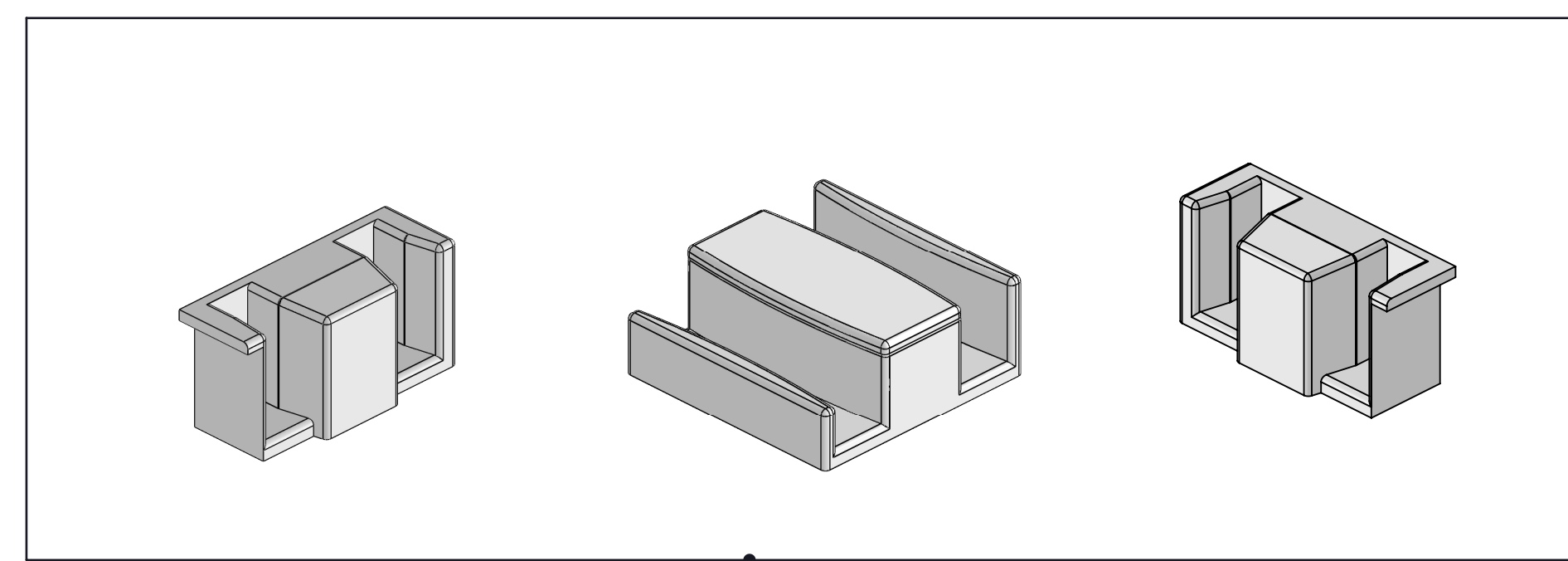
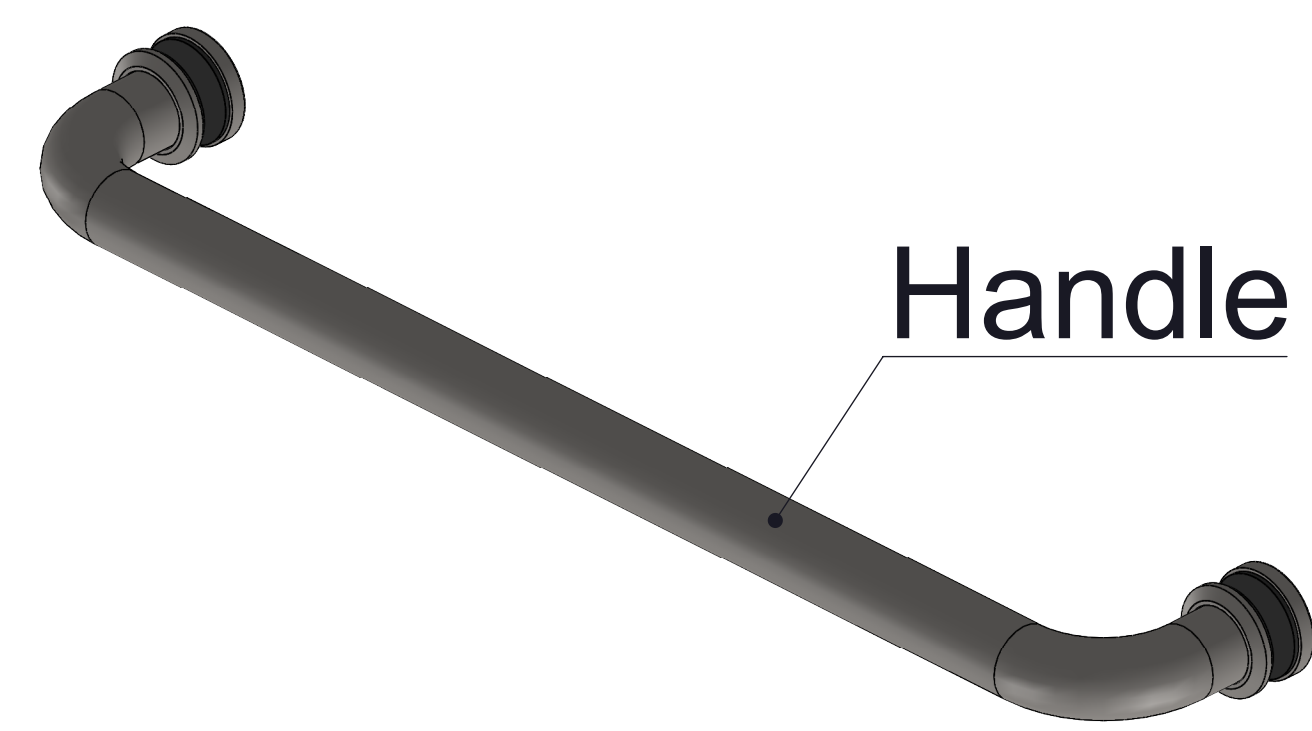
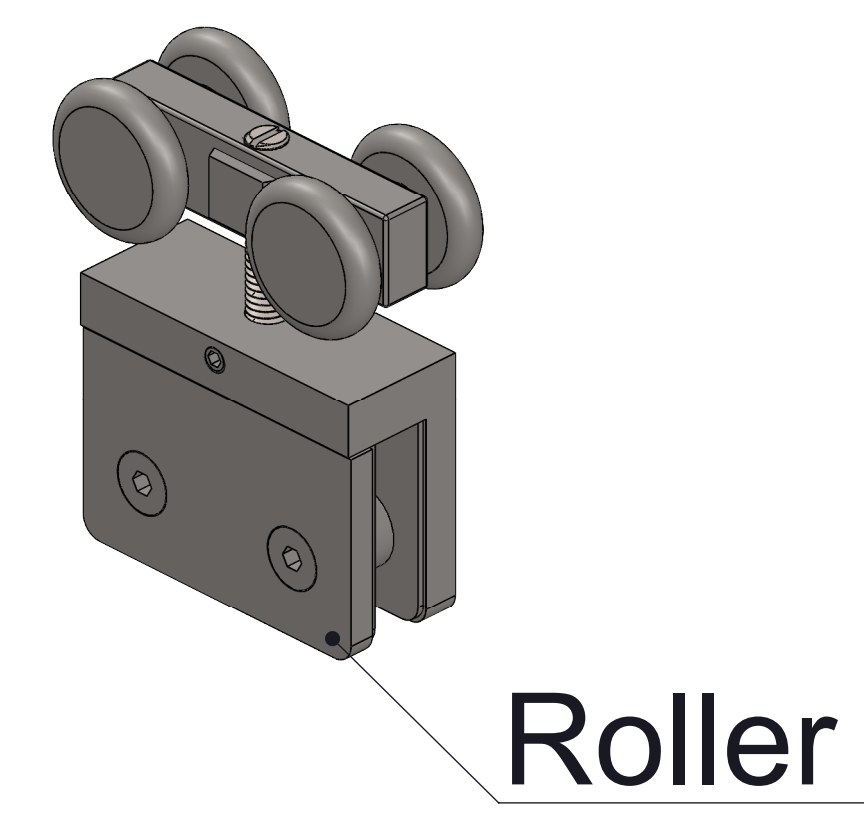
Brushed



Black



Vertical Gasket



Bottom Guide

