



JK1944

FEATURE HIGHLIGHTS

- ☞ Two fixed panels, Two sliding doors
- ☞ Aluminum alloy profile, out-of-plumb adjustable
- ☞ Easy clean, Easy installed

SPECIFICATIONS

Dimension(900X900X1900mm)

- ☞ W: 800+800, 900+900, 1000+1000mm
- ☞ H: 1800mm-2200mm
- ☞ Custom made is available

Glass

- ☞ 1/4 in. (6mm) thick tempered glass
- ☞ ANSI and CE certified tempered glass

Hardware

- ☞ Aluminum sliding track and wall profile
- ☞ Durable sliding roller
- ☞ Slim aluminum bottom threshold designed to prevent water leakage
- ☞ ABS handle (Stainless steel handle available)
- ☞ Hardware finished in Chrome, Brushed, Black



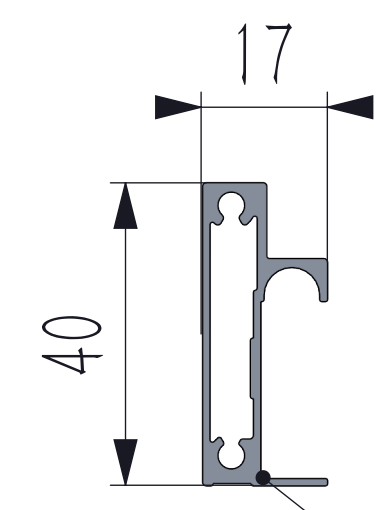
Chrome



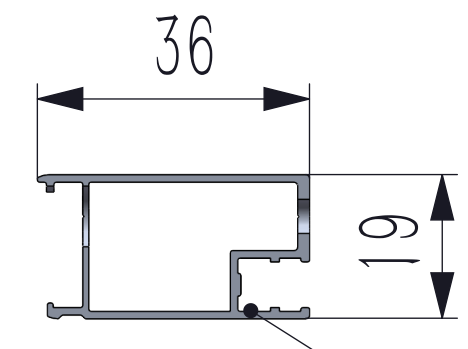
Brushed



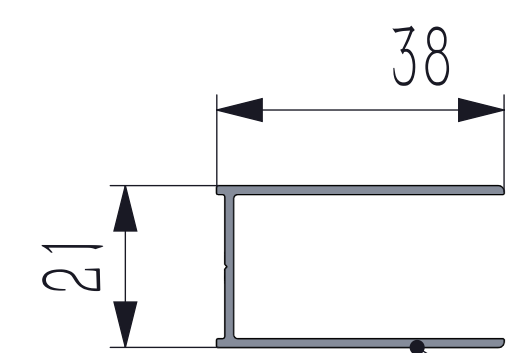
Black



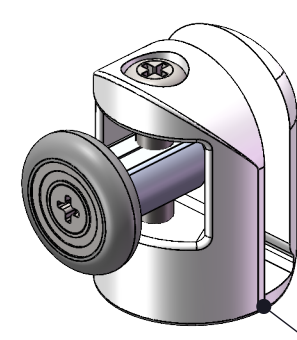
Guide Rail (top & bottom)



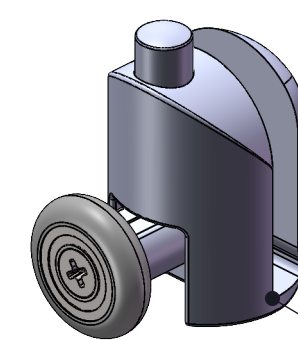
Glass Profile



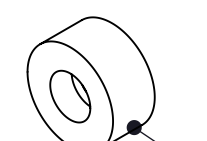
Wall Profile



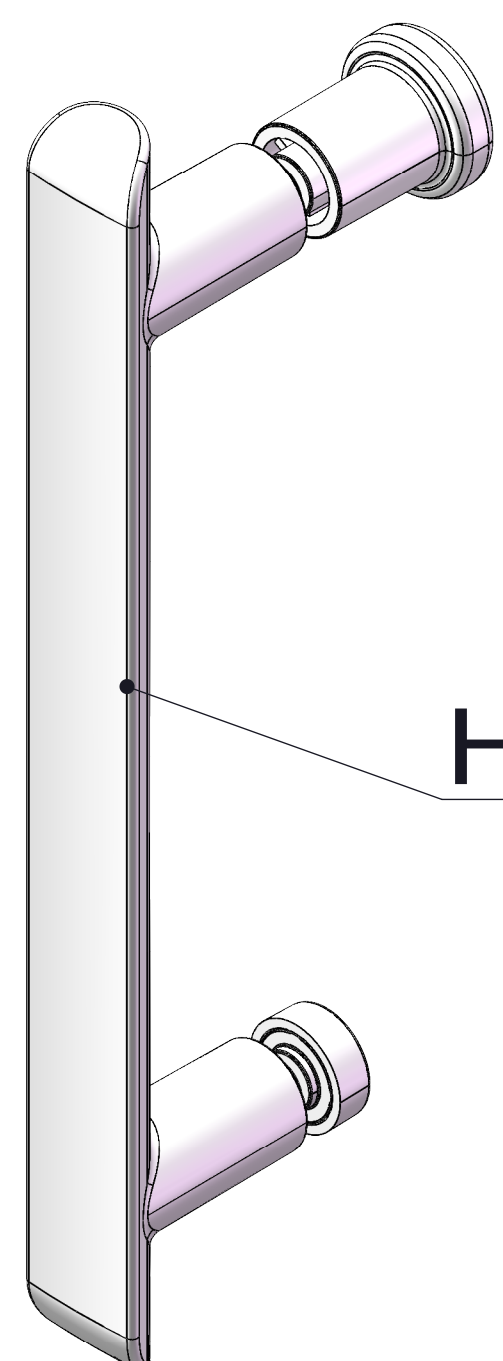
Roller Assembly (top)



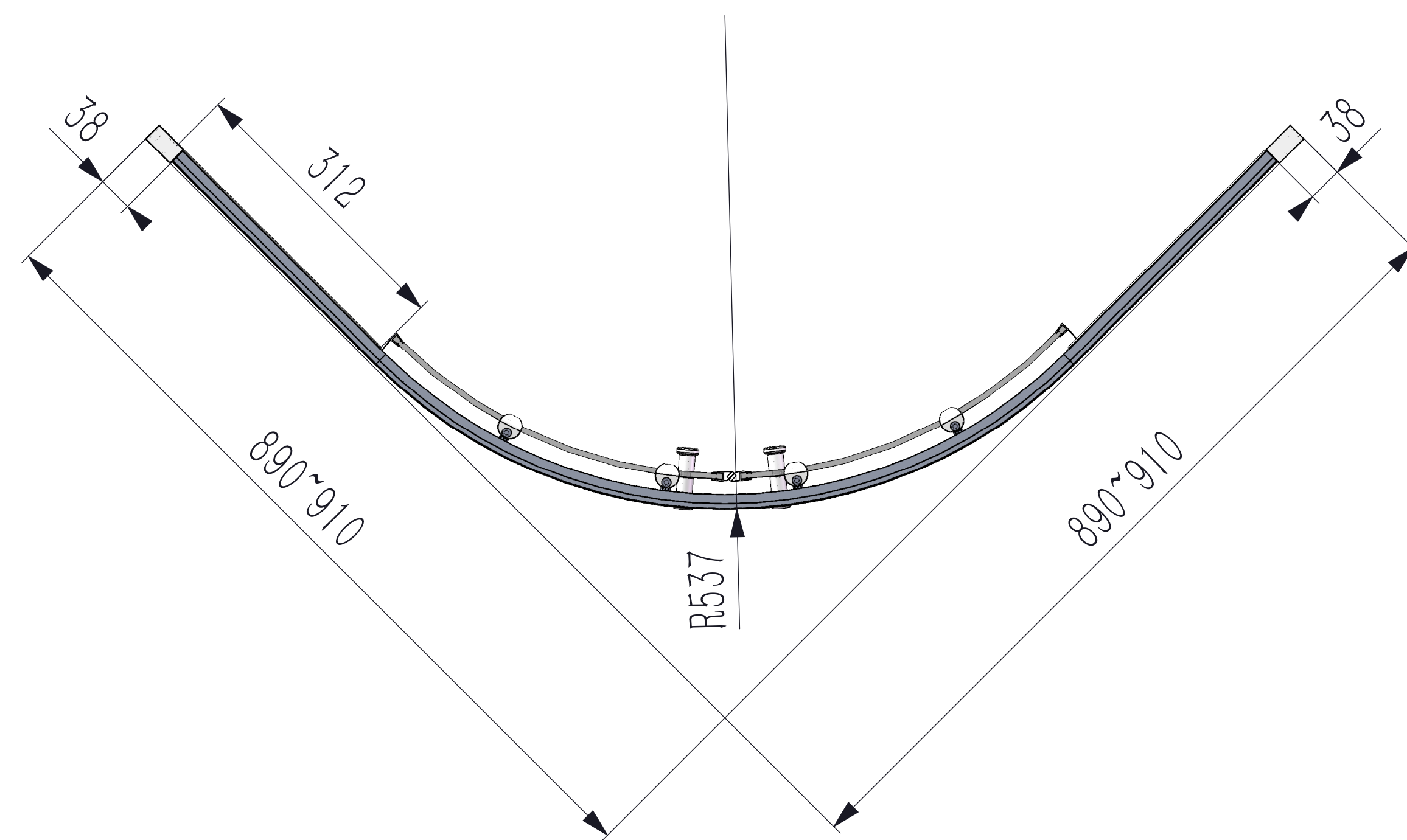
Roller Assembly (bottom)



Roller Stopper



Handle



Glass 6mm