



JP502B

FEATURE HIGHLIGHTS

- ☞ Frameless walk-in shower design with an open-entry, door less style
- ☞ Adjustable wall profile with patent for out-of-plumb (uneven walls), U channel is optional
- ☞ Adjustable support bar suitable for different width meet your shower area
- ☞ Flexible installation options to any wall with a reversible left or right-side walk-in entry

SPECIFICATIONS

Dimension

- ☞ W36"x76"(W914xH1930mm)
- ☞ 39 3/8"(1000mm) support bar
- ☞ Custom made is available

Glass

- ☞ 3/8" (10mm) or 5/16" (8mm)silk print glass
- ☞ ANSI certified tempered glass

Hardware

- ☞ Aluminum wall profile
- ☞ Stainless steel support bar
- ☞ Brass floor clamp to hold the glass
- ☞ Towel bar or wall bracket is optional
- ☞ Hardware finished in Chrome, Brushed, Black



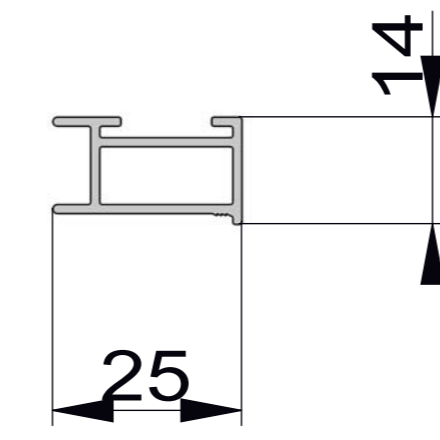
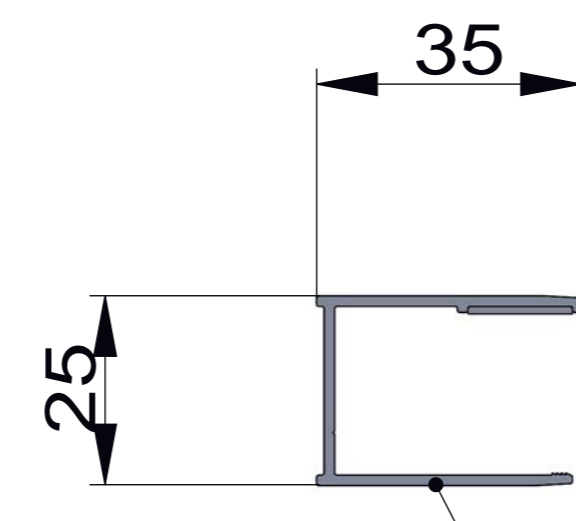
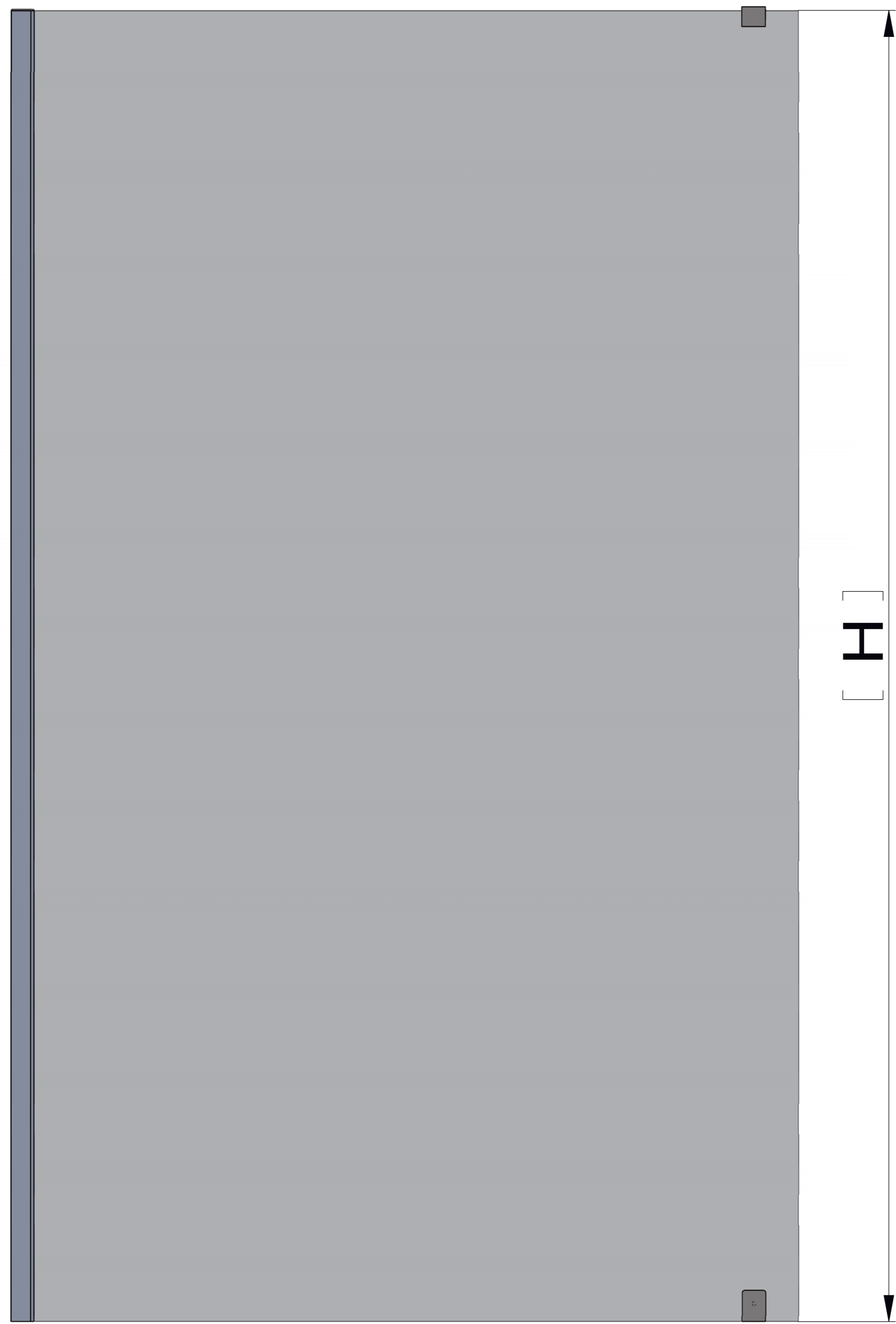
Chrome



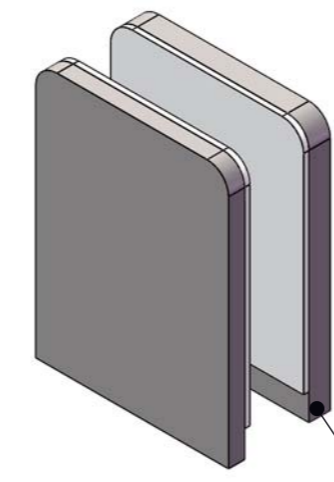
Brushed



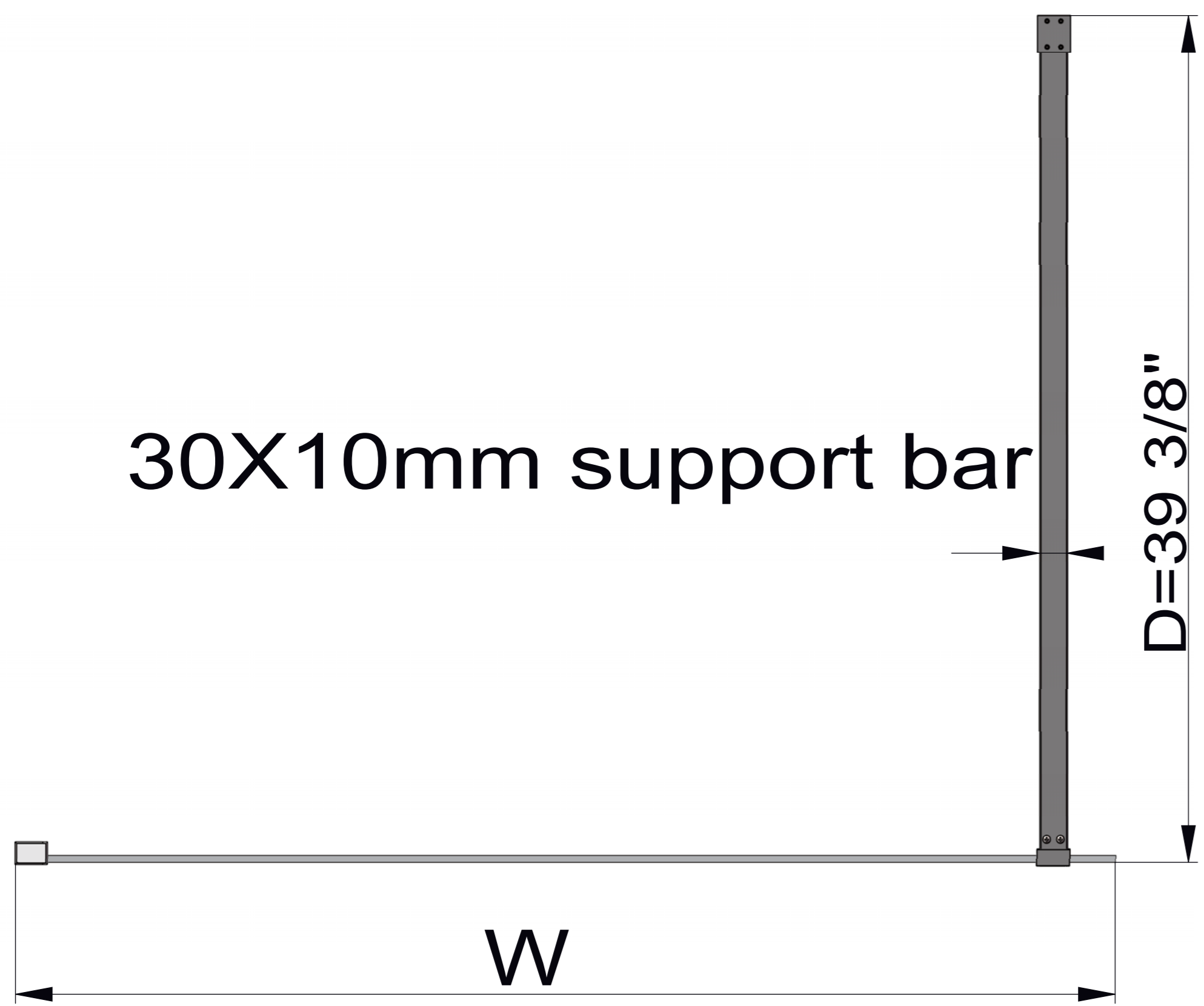
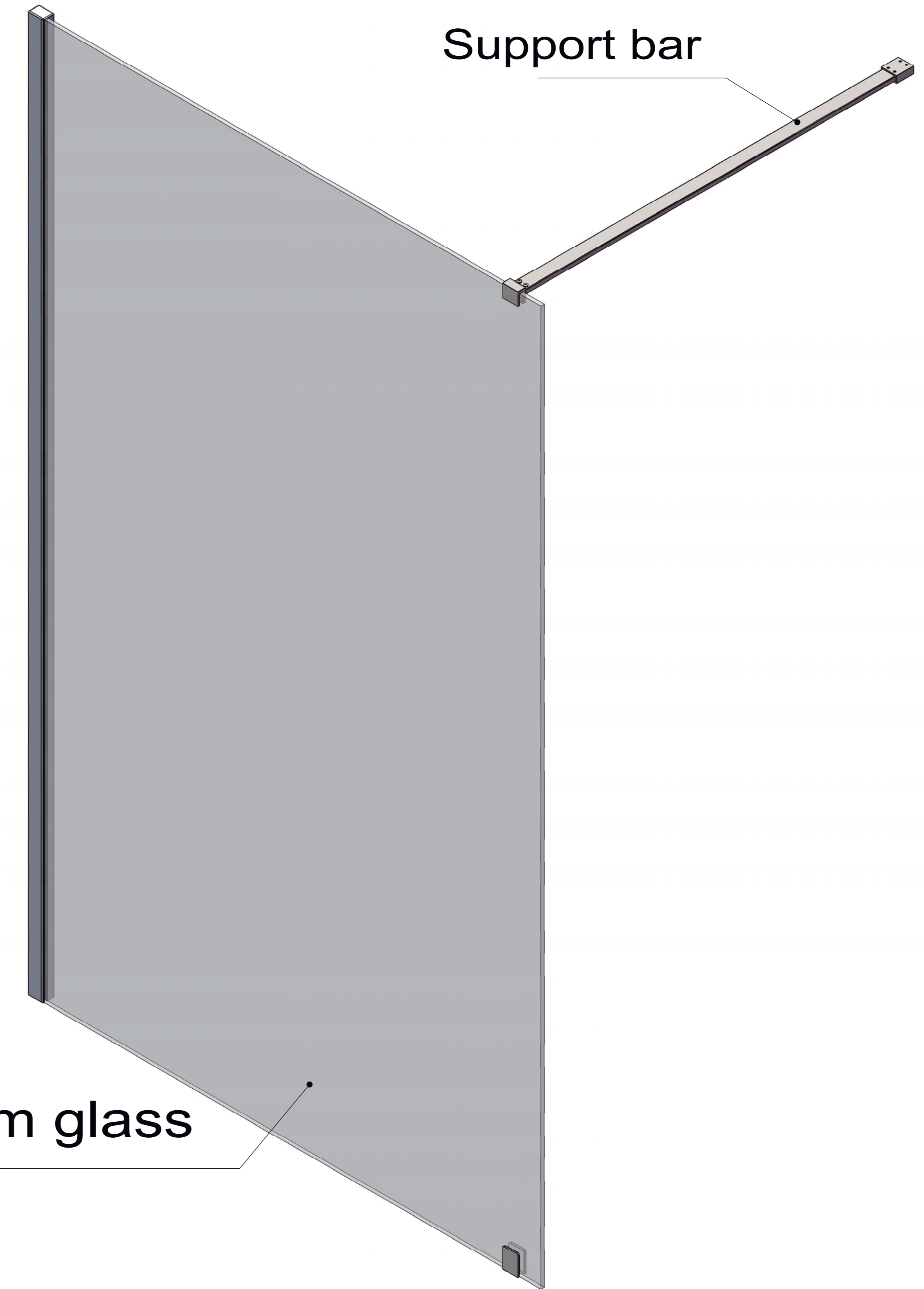
Black



Wall profile with patent, U channel is optional



Floor clamp



JP502B