

JP502B-1

FEATURE HIGHLIGHTS

- ☞ Walk-in shower door, no door, easy to enter
- ☞ Minimalist shower partition brings an air of industrial aesthetics
- ☞ Flexible installation options to any wall with a reversible left or right-side entry
- ☞ Adjustable wall profile for out-of-plumb (uneven walls)
- ☞ The adjustable profile and support bar make it easy to fit any bathroom size

SPECIFICATIONS

Dimension

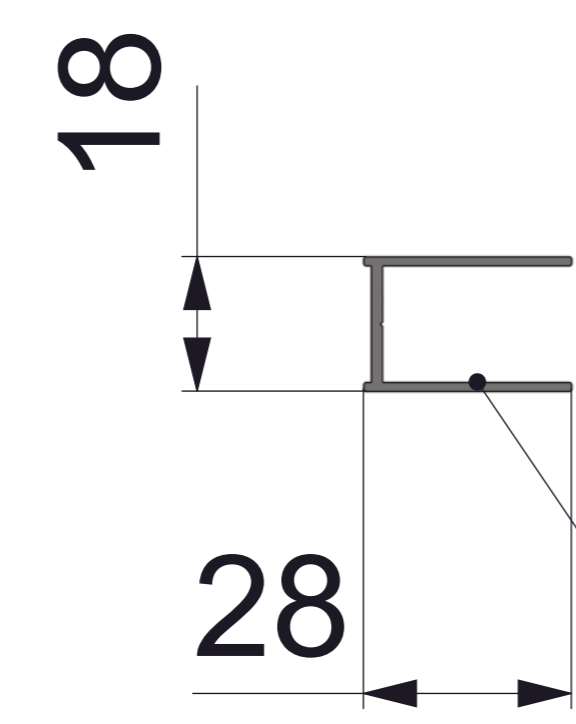
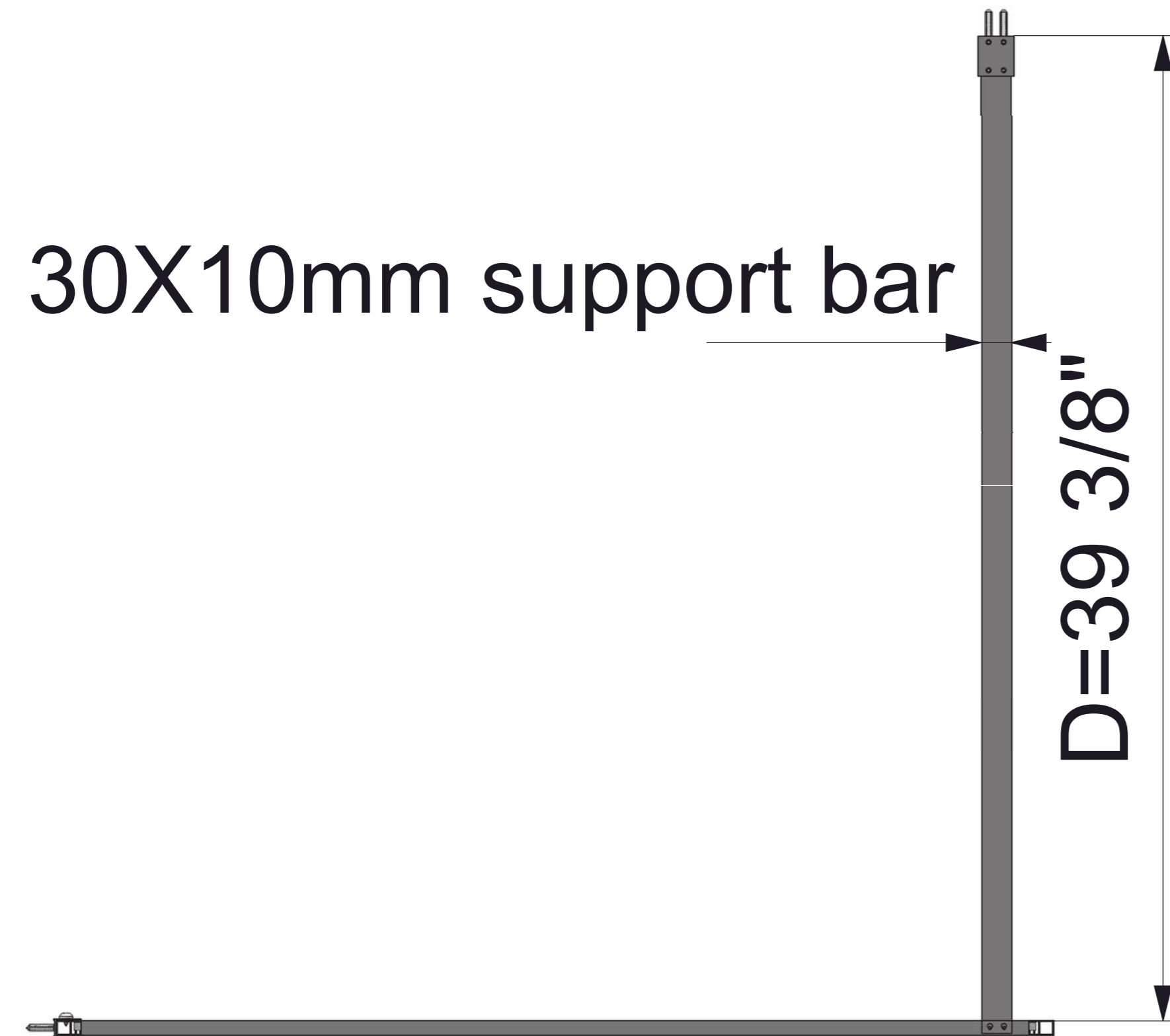
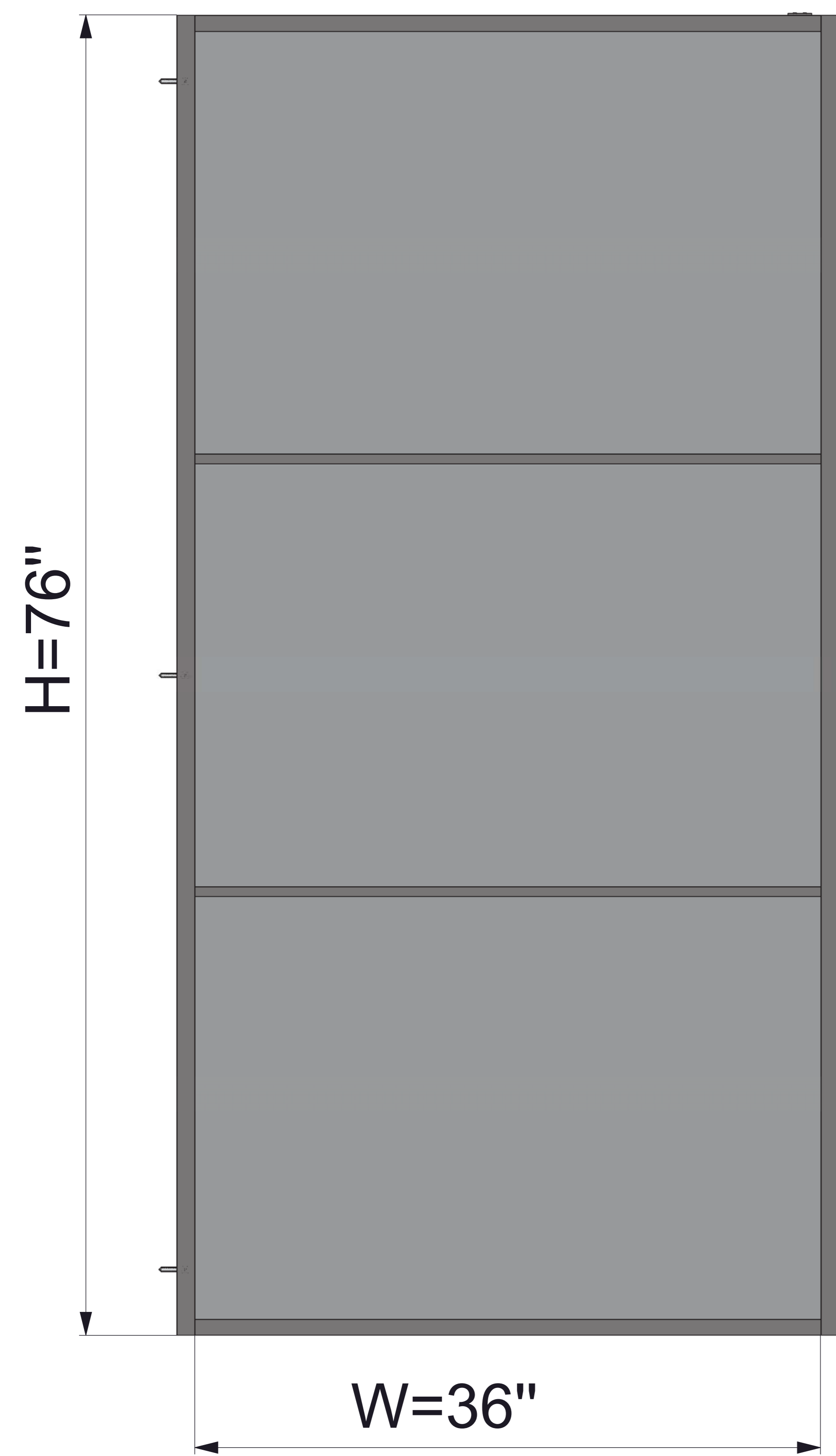
- ☞ W36"x76"(W914xH1930mm)
- ☞ 39 3/8"(1000mm) support bar
- ☞ Custom made is available

Glass

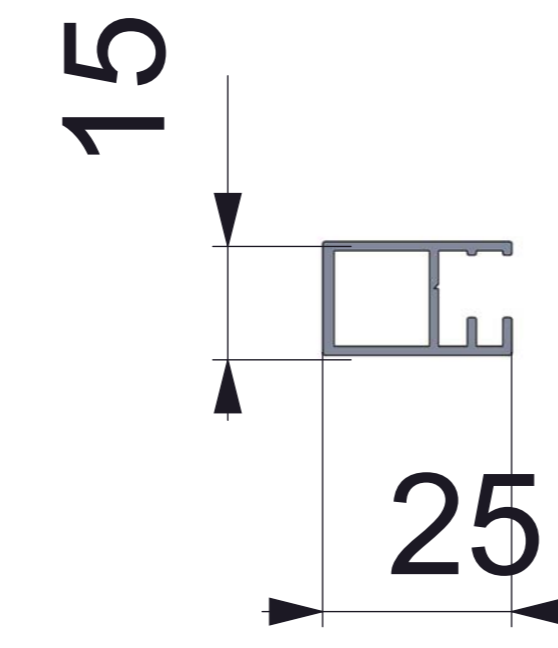
- ☞ 5/16 in.(8mm) tempered silk print glass
- ☞ ANSI certified tempered glass

Hardware

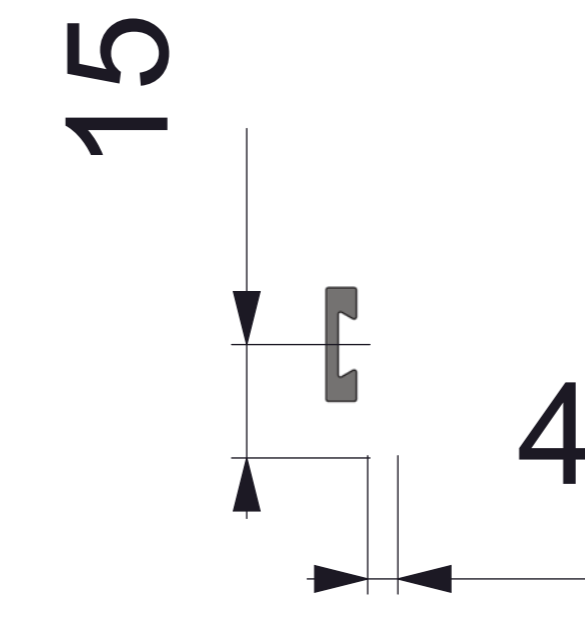
- ☞ Aluminum wall profile, finished in matt black color
- ☞ Stainless steel support bar, finished in matt black color
- ☞ Aluminum border, finished in matt black color



Wall profile



Aluminum border

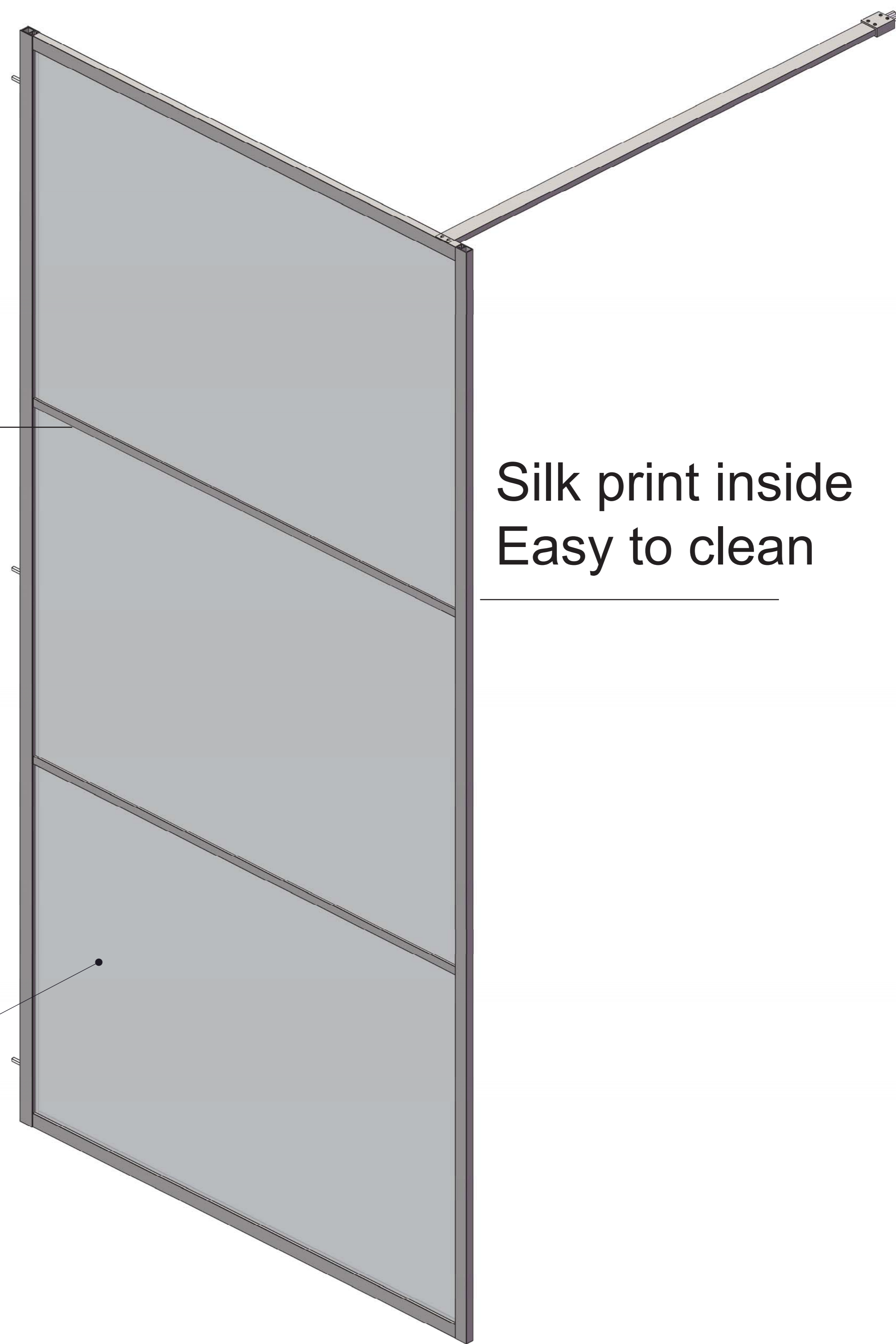


Optional aluminum strip outside

Aluminum strip outside
Sense of touch

Silk print inside
Easy to clean

8mm Glass



JP502B-1