



JP0221

FEATURE HIGHLIGHTS

- ☞ Frameless glass design creates an open, airy feel
- ☞ Specially designed rollers create a smooth, quiet gliding operation
- ☞ Features a vertical stainless steel handle with knob that's sleek and timeless

SPECIFICATIONS

Dimension(60 in. W x 76 in. H)

- ☞ Fits 56" to 60" finished opening
- ☞ Up to 4" (102mm) in width adjustment
- ☞ Custom made is available

Glass

- ☞ 3/8 in. (10mm) thick or 5/16 in.(8mm) tempered glass
- ☞ ANSI certified tempered glass

Hardware

- ☞ Metal sliding construction
- ☞ #304 stainless steel wheel with out-of-center adjustment
- ☞ Anti-splash slim aluminum threshold to prevent water spills
- ☞ #304 stainless steel handle
- ☞ Hardware finished in Chrome, Brushed, Black



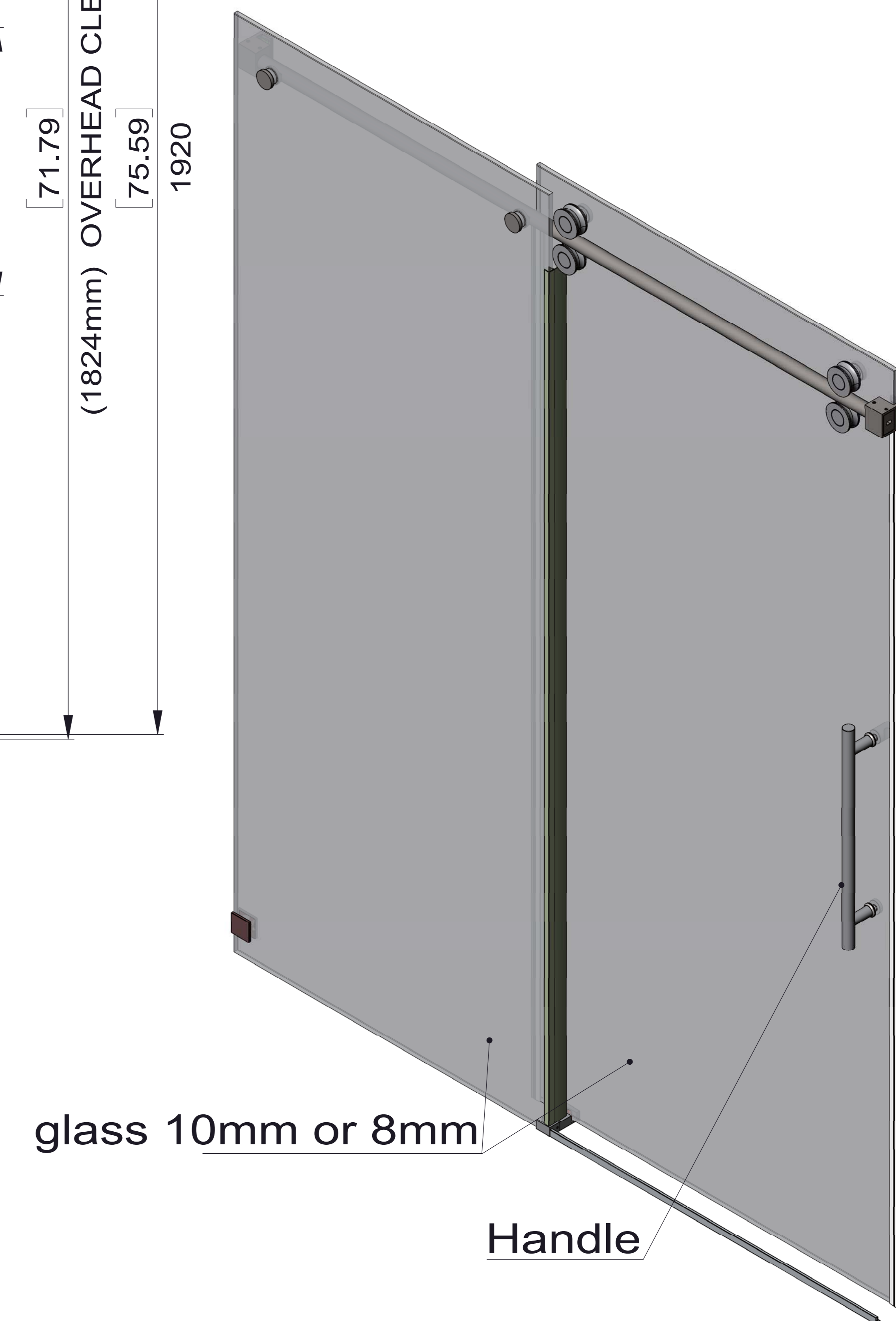
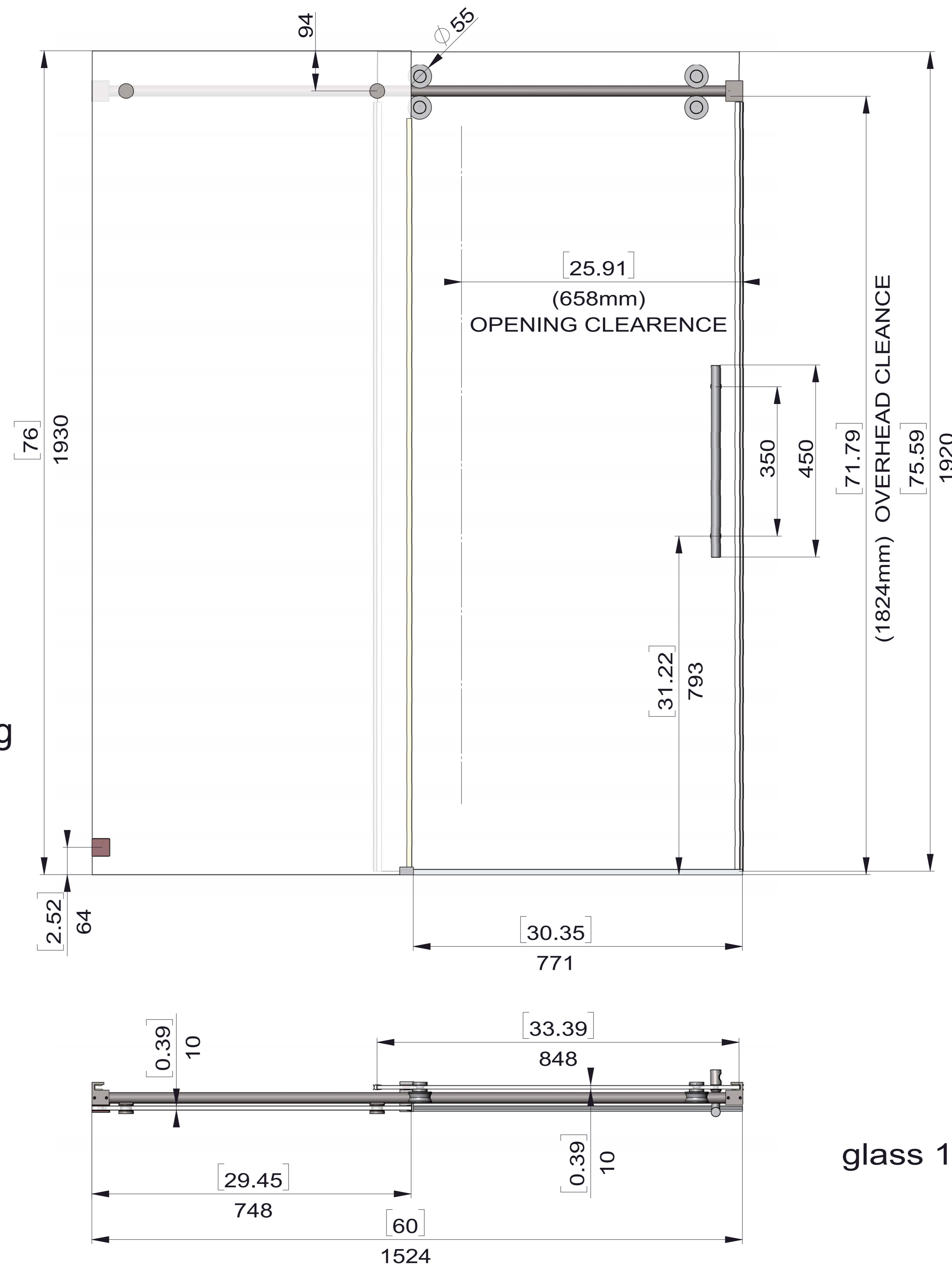
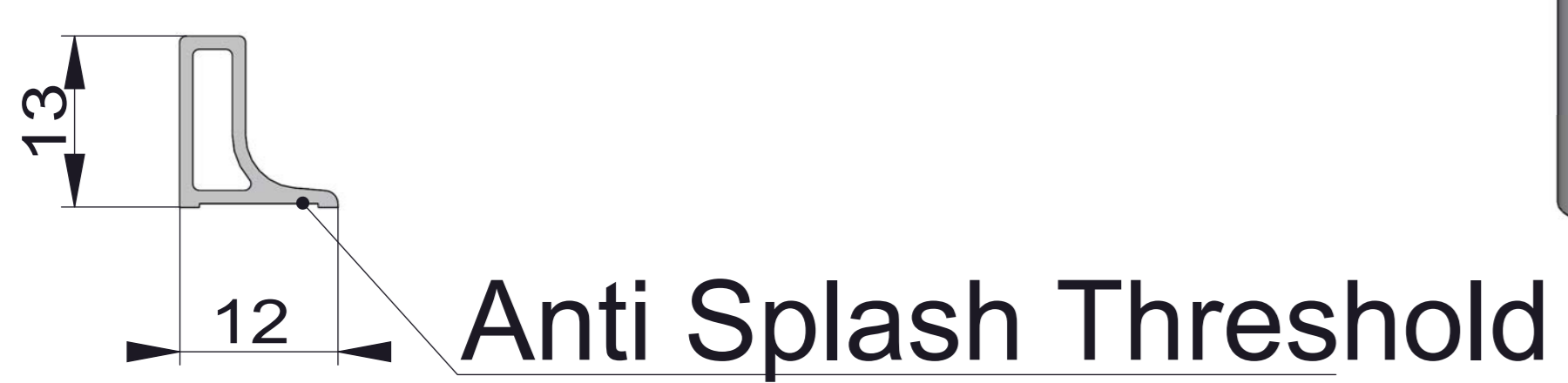
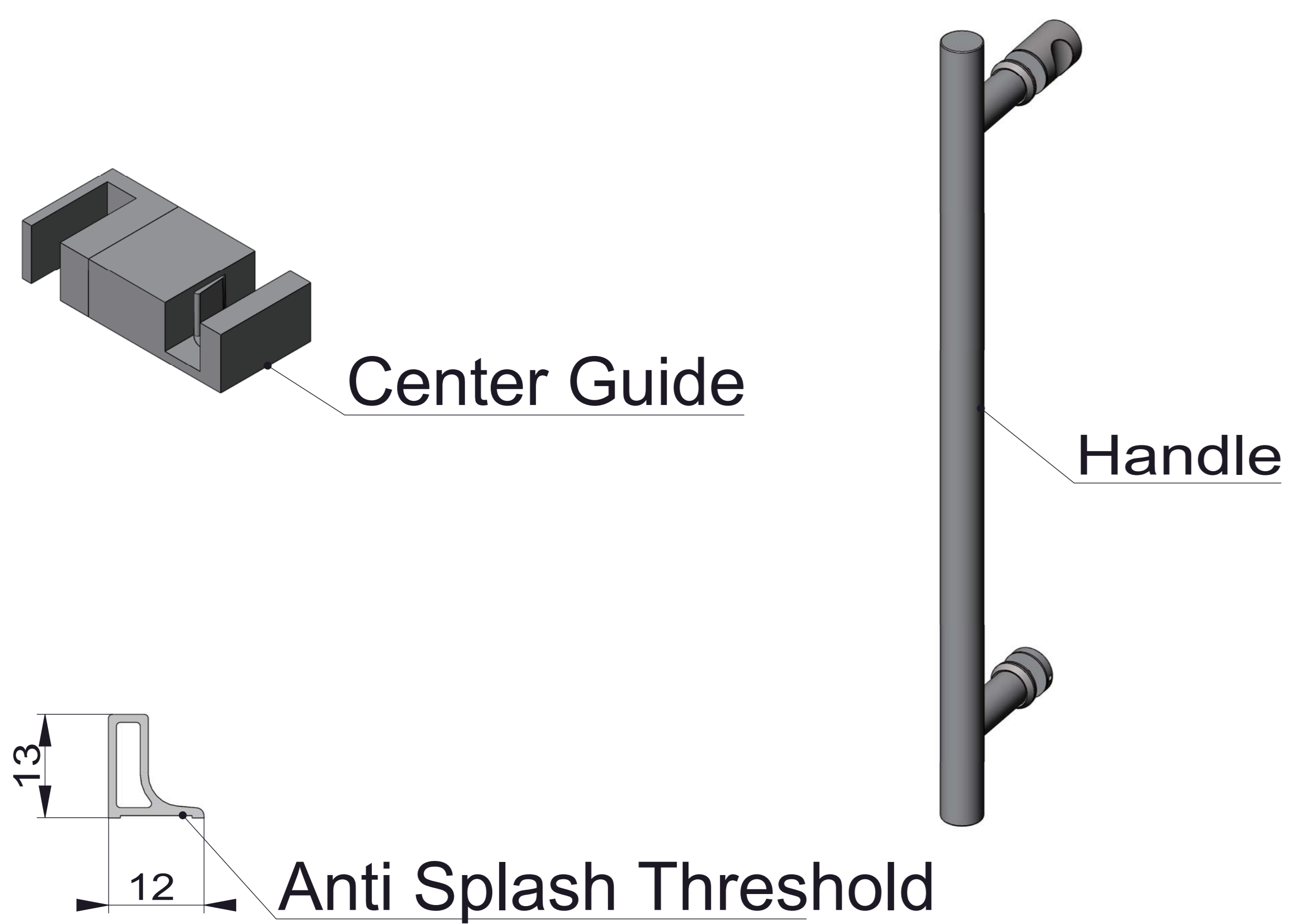
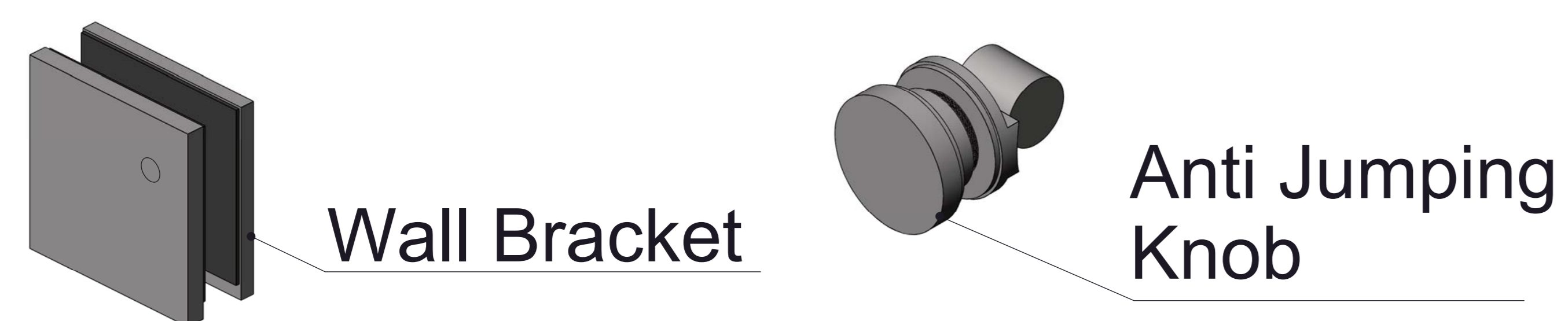
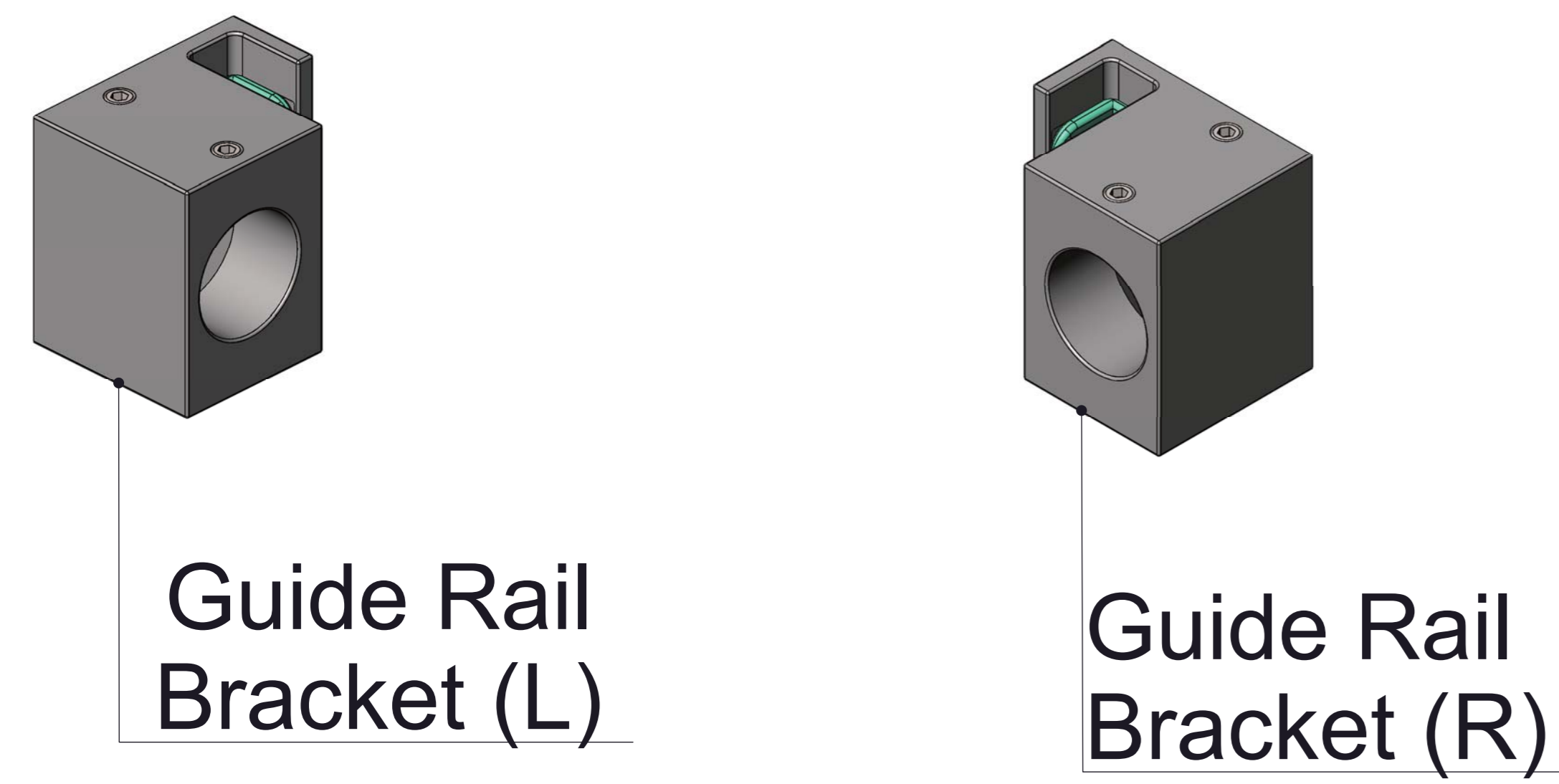
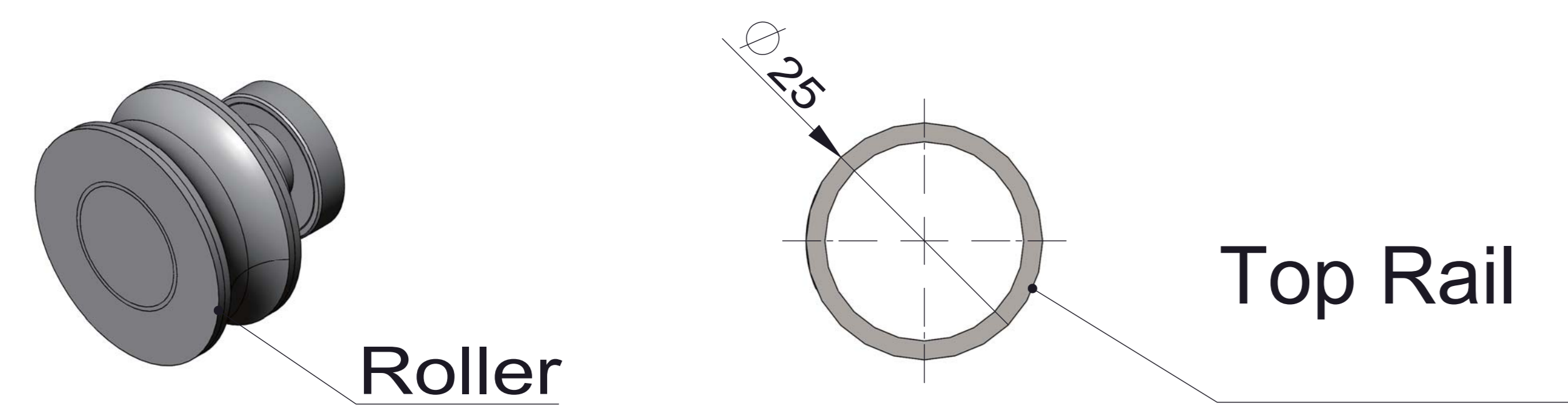
Chrome



Brushed



Black



JP0221(60"X76")